

**Standard program
Keyboards, Keypads
and Touchscreens**



Contents

Preh Commander® MC 80 WX (numeric Matrix 5 x 16)	
Preh Commander® MC 80 WX Alpha (alphanumeric)	6
Preh Commander® MC 84 WX (numeric Matrix 7 x 12)	
Preh Commander® MC 128 WX (numeric Matrix 8 x 16)	
Preh Commander® MC 128 WX Alpha (alphanumeric)	7
Preh Commander® MSI 60 (numeric Matrix 6 x 10)	8
Preh Commander® MCI 30 (numeric Matrix 6 x 5)	8
Preh Commander® MCI 60 (numeric Matrix 5 x 12)	
Preh Commander® MCI 84 (numeric Matrix 7 x 12)	10
Preh Commander® MCI 96 Alpha (alphanumeric)	
Preh Commander® MCI 96 (numeric Matrix 6 x 16)	11
Preh Commander® MCI 128 Alpha (alphanumeric)	
Preh Commander® MCI 128 (numeric Matrix 8 x 16)	12
Keypads MTF	13
Preh Commander PC POS (alphanumeric)	
Preh Commander PC POS with glidepad (alphanumeric)	14
Preh Commander MC 147 (alphanumeric)	15
Preh Touch Commander MC 12 Preh Screen Commander MC 12	16
Preh Touch Commander MC 15	16

Flexibility, Reliability and Ergonomic Design



Our partners are leading system integrators, users and OEMs in markets in which collecting information gets more and more important and data processing and transfer rates increase. Constantly increasing computer use and the trend towards operator-convenient handling are setting very high standards regarding quality and product utility of our data entry systems. We are meeting these challenges and employ our extensive know-how in development and production specifically for the solution of our customers problems.

To solve individual problems we consider e.g. our modular expansion possibilities, our key exchange technique, individual key labelling, interchangeable menu sheets, high IP-protection classes, a lifetime of more than 30 million actuations, compact design and a functional, ergonomic design and the Universal Serial Bus (USB).

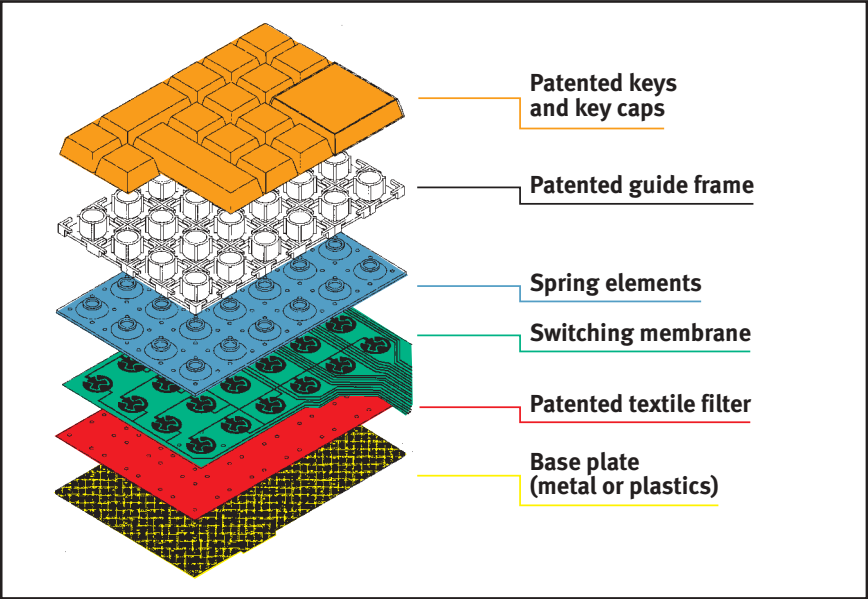
In addition to standard keyboards, Preh also has a lot of know-how and many years of experience in customer-specific OEM and project data entry solutions.

More information about e.g.

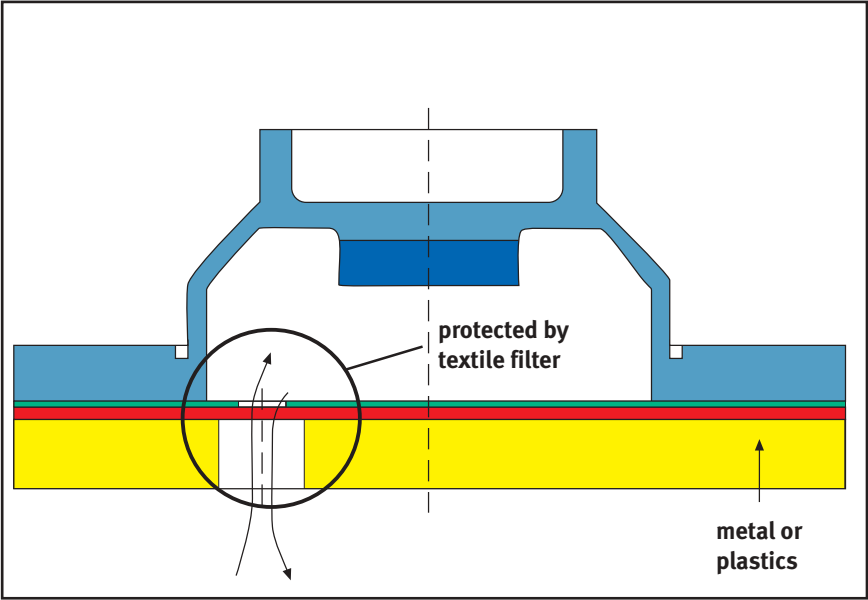
- LC-Display
- Smart card reader
- Magnetic stripe reader (MSR)
- Legic reader (contactless transponder card)
- Biometrics
- Keylock
- Glidepad
- Microjoystick
- Built in barcode decoder
- Interfaces
- USB
- Bluetooth
- Daisy chain socket
- Special cable lock
- Specific key layout
- Laser etched legends
- Customized colors
- Programmability
- Firmware upgrades
- Customized firmware
- OPOS and JavaPOS drivers for Windows and Linux on request

Switching technology and Filter ventilation system

You can find more details, especially about our latest drivers, manuals and software on our web page <http://www.preh-keytec.com>. Peripheral devices and options are planned or already available. If you have questions regarding hardware and software please do not hesitate to contact our service-team by fax +49 9771 / 92-152 or by email support@preh-keytec.de The following product survey gives you a short information about our **deliverable standard program** of data entry systems.



Patented switching technology



Patented filter ventilation system

Preh Commander® MC 80 WX (numeric Matrix 5 x 16)

Preh Commander® MC 80 WX Alpha (alphanumeric)



Preh Commander® MC 80 WX (numeric)

Compact Data Entry System with magnetic stripe reader (MSR)

Special Features

- Compact modular design
- 80 free programmable keys
- Key configuration technique
- Dust- and splash water resistant keypad
- PS/2-interface
- Daisy-chain socket
- Integrated pen holder
- Menu-driven programmer software
- Ergonomic, elegant design
- Integrated magnetic stripe reader (MSR) (3 tracks)
- Status LEDs

Options

- Key lock
- Single, double and quadruple keys and covers
- Alpha key layout (German, French, International)

Applications

Retail, restaurants, hotels, gas stations, banking and finance etc.

Preh Commander® MC 84 WX (numeric Matrix 7 x 12)



Preh Commander® MC 84 WX (numeric)

Compact Data Entry System with magnetic stripe reader (MSR)

Special Features

- Compact modular design
- 84 free programmable keys
- Key configuration technique
- Dust- and splash water resistant keypad
- PS/2-interface
- Daisy-chain socket
- Integrated pen holder
- Menu-driven programmer software
- Ergonomic, elegant design
- Integrated magnetic stripe reader (MSR) (3 tracks)
- Status LEDs

Options

- Single, double and quadruple keys and covers

Applications

Retail, restaurants, hotels, gas stations, banking and finance etc.

Preh Commander® MC 128 WX (numeric Matrix 8 x 16)

Preh Commander® MC 128 WX Alpha (alphanumeric)



Preh Commander® MC 128 WX (numeric)

Compact Data Entry System with magnetic stripe reader (MSR)

Special Features

- Compact modular design
- 128 free programmable keys
- Key configuration technique
- Dust- and splash water resistant keypad
- PS/2-interface
- Daisy-chain socket
- Integrated pen holder
- Menu-driven programming software
- Ergonomic, elegant design
- Integrated magnetic stripe reader (MSR) (3 tracks)
- Status LEDs

Options

- Key lock
- Single, double and quadruple keys and covers
- Alphanumeric key layout (German, French, International)

Applications

Retail, restaurants, hotels, gas stations, banking and finance etc.

Preh Commander® MSI 60 (numeric Matrix 6 x 10)



Preh Commander® MSI 60 (numeric)

Ultracompact point-of-sale keyboard with key lock and magnetic stripe reader (MSR)

Special Features

- Modular and ergonomic design with very small footprint
- Front of keypad is protected from dust and splashing water by patented filter technique
- 60 programmable key positions
- Patented key exchange technique
- PS/2 interface
- 4 status LEDs
- Menu-driven programmer software
- DOS, Linux and Windows compatibility
- OPOS and JavaPOS drivers for Windows and Linux

Options

- Key lock
- Integrated **magnetic stripe reader (3 tracks)**
- USB
- Colored keys with lasered key symbols
- Multiple keys and covers

Applications

Supermarkets, general retail and speciality stores, restaurants, hotels, pharmacies, gas stations, c-stores, banking and finance

Preh Commander® MCI 30 (numeric Matrix 6 x 5)



Preh Commander® MCI 30 (numeric)

Compact keyboard with magnetic stripe reader (MSR)

Special Features

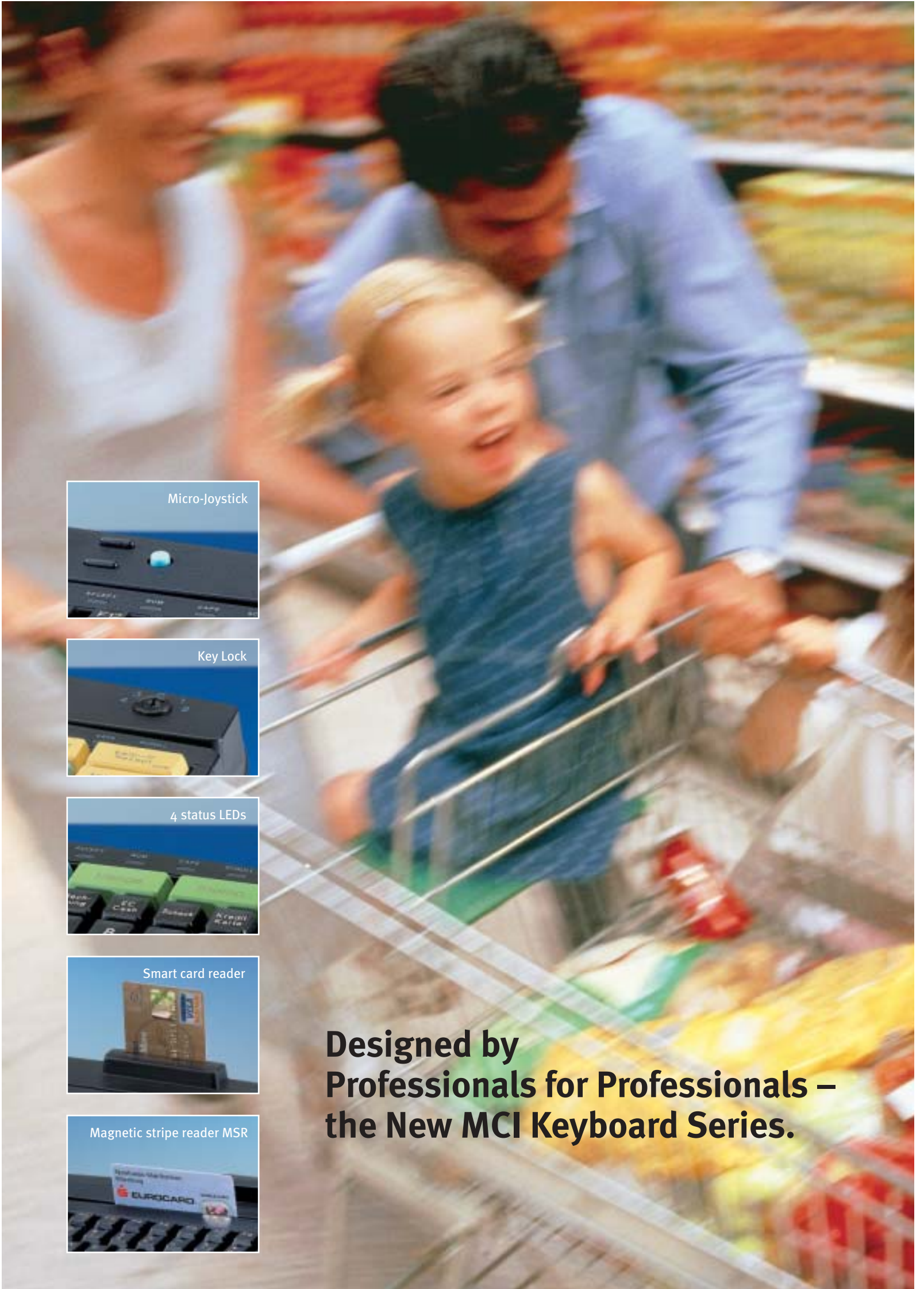
- Modular and ergonomic design with space saving footprint
- Keypad (6 x 5) with 30 programmable key positions and patented key exchange technique
- Front of keypad is protected from dust and splashing water by patented filter technique
- USB interface
- 4 status LEDs
- Menu-driven programmer software
- DOS, Linux and Windows compatibility
- OPOS and JavaPOS drivers for Windows and Linux
- Built-in MSR (3 tracks)

Options

- PS/2 adapter
- Colored keys with lasered key symbols
- Patented multiple keys and covers

Applications

Retail, Gas stations, banking and finance etc.



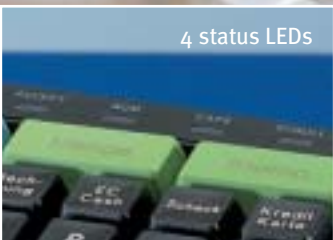
Micro-Joystick



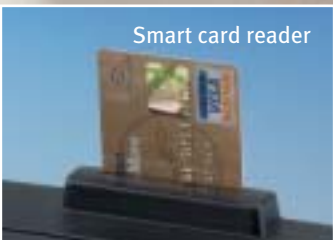
Key Lock



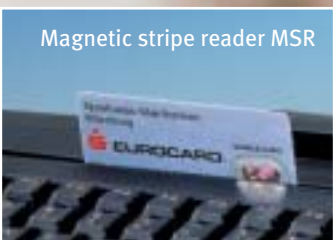
4 status LEDs



Smart card reader



Magnetic stripe reader MSR



**Designed by
Professionals for Professionals –
the New MCI Keyboard Series.**

Preh Commander® MCI 60 (numeric Matrix 5 x 12)



Extreme compact Point-of-Sale keyboard with MSR and keylock

Special Features

- Modular and ergonomic design with space saving footprint
- Keypad (5 x 12) with 60 programmable key positions and patented key exchange technique
- Front of keypad is protected from dust and splashing water by patented filter technique
- PS/2 interface
- 4 status LEDs
- Menu-driven programmer software
- DOS, Linux and Windows compatibility
- OPOS and JavaPOS drivers for Windows and Linux

Options

- Keylock
- Integrated MSR (3 tracks)
- USB
- Colored keys with lasered key symbols
- Patented multiple keys and covers

Applications

Retail, Gas stations, Hospitality, Pharmacies

Preh Commander® MCI 84 (numeric Matrix 7 x 12)



Extreme compact Point-of-Sale keyboard with MSR and Key lock

Special Features

- Modular and ergonomic design with space saving footprint
- Keypad (7 x 12) with 84 programmable key positions and patented key exchange technique
- Front of keypad is protected from dust and splashing water by patented filter technique
- PS/2 interface
- 4 status LEDs
- Menu-driven programmer software
- DOS, Linux and Windows compatibility
- OPOS and JavaPOS drivers for Windows and Linux

Options

- Keylock
- Integrated MSR (3 tracks)
- USB
- Colored keys with lasered key symbols
- Patented multiple keys and covers

Applications

Retail, Gas stations, Hospitality, Pharmacies

Preh Commander® MCI 96 Alpha (alphanumeric)



Preh Commander® MCI 96 Alpha (numeric)

Ultracompact point-of-sale keyboard with micro joystick and magnetic stripe reader

Special features

- Modular and ergonomic design with very small footprint
- Front of keypad is protected from dust and splashing water by patented filter technique
- German, French or international MF keyboard layout
- Programmable key positions
- Patented key exchange technique
- PS/2 interface
- 4 status LEDs
- Menu-driven programmer software
- DOS, Linux and Windows compatibility
- OPOS and JavaPOS drivers for Windows and Linux

Options

- Micro-joystick or key lock
- Integrated Smart card reader (PC/SC, ISO 7816, GSM 11.11, HBCI, CT-API, EMV)
- Integrated magnetic stripe reader (MSR) (3 tracks)
- USB
- Country-specific keyboard layouts
- Colored keys with lasered key symbols
- Multiple keys and covers

Applications

Supermarkets, general retail and speciality stores, restaurants, hotels, pharmacies, gas stations, c-stores, banking and finance

Preh Commander® MCI 96 (numeric Matrix 6 x 16)



Preh Commander® MCI 96 (numeric)

Ultracompact point-of-sale keyboard with magnetic stripe reader

Special features

- Modular and ergonomic design with very small footprint
- Key matrix (6 x 16) with 96 programmable key positions and patented key exchange technique
- Front of keypad is protected from dust and splashing water by patented filter technique
- PS/2 interface
- 4 status LEDs
- Menu-driven programmer software
- DOS, Linux and Windows compatibility
- OPOS and JavaPOS drivers for Windows and Linux

Options

- Micro-joystick or key lock
- Integrated smart card reader (PC/SC, ISO 7816, GSM 11.11, HBCI, CT-API, EMV)
- Integrated magnetic stripe reader (MSR) (3 tracks)
- USB
- Colored keys with lasered key symbols
- Multiple keys and covers

Applications

Supermarkets, general retail and speciality stores, restaurants, hotels, pharmacies, gas stations, c-stores, banking and finance

Preh Commander® MCI 128 Alpha (alphanumeric)



Preh Commander® MCI 128 Alpha

Ultracompact point-of-sale keyboard with alpha layout

Special features

- Modular and ergonomic design with very small footprint
- Front of keypad is protected from dust and splashing water by patented filter technique
- German, French or international MF keyboard layout
- 32 programmable additional key positions
- Patented key exchange technique
- PS/2 interface
- 4 Status-LEDs
- Menu-driven programmer software
- DOS, Linux and Windows compatibility
- OPOS and JavaPOS drivers for Windows and Linux

Options

- Micro-joystick or key lock
- Integrated smart card reader (PC/SC, ISO 7816, GSM 11.11, HBCI, CT-API, EMV)
- Integrated magnetic stripe reader (MSR) (3 Spuren)
- USB
- Country-specific keyboard layouts
- Colored keys with lasered key symbols
- Multiple keys and covers

Applications

Supermarkets, general retail and speciality stores, restaurants, hotels, pharmacies, gas stations, c-stores, banking and finance

Preh Commander® MCI 128 (numeric Matrix 8 x 16)



Preh Commander® MCI 128 (numeric)

Ultracompact point-of-sale keyboard with key lock and smart card reader

Special features

- Modular and ergonomic design with very small footprint
- Key matrix (8 x 16) with 128 programmable key positions and patented key exchange technique
- Front of keypad is protected from dust and splashing water by patented filter technique
- PS/2 interface
- 4 status LEDs
- Menu-driven programmer software
- DOS, Linux and Windows compatibility
- OPOS and JavaPOS drivers for Windows and Linux

Options

- Micro-joystick or key lock
- Integrated smart card reader (PC/SC, ISO 7816, GSM 11.11, HBCI, CT-API, EMV)
- Integrated magnetic stripe reader (MSR) (3 tracks)
- USB
- Colored keys with lasered key symbols
- Multiple keys and covers

Applications

Supermarkets, general retail and speciality stores, restaurants, hotels, pharmacies, gas stations, c-stores, banking and finance

Keypads MTF



Keypads for customized OEM-solutions

Special Features

- Number of key positions (e.g. 5x5 matrix) upon request
- MTF-switch technology
- Dust and splash water resistant keypads
- Flextail connector

Options

- Single, double and quadruple keys and covers
- Key symbols with any written or laser printed labels
- Different key sets

Applications

OEM-solutions for retail, restaurants, hotels, industry etc.

Preh Commander® PC POS (alphanumeric)



Preh Commander® PC POS (alphanumeric)

Free programmable alpha keyboard with additional keypad and magnetic stripe reader (MSR)

Special Features

- 48 free programmable keys
- 15 free programmable function keys
- Key configuration technique
- Dust and splash water resistant keypads
- PS/2-interface
- Menu-driven programmer software
- Adjustable height
- MF-key layout
- Ergonomic design

Options

- Integrated magnetic stripe reader (MSR) (3 tracks)
- Single, double and quadruple keys and dead tiles
- Alphanumeric key layout (German, International)

Applications

Retail, banking and finance etc.

Preh Commander® PC POS with glidepad (alphanumeric)



Preh Commander® PC POS with glidepad (alphanumeric)

Programmable MF-keyboard with additional keypads, glidepad and magnetic stripe reader (MSR)

Special Features

- Integrated glidepad with 2 mouse buttons
- 39 free programmable keys
- 15 free programmable function keys
- Key configuration technique
- Dust and splash water resistant keypad
- PS/2-interface
- Menu-driven programmer software
- Adjustable height
- MF-key layout
- Ergonomic design
- Status LEDs

Options

- Integrated magnetic stripe reader (MSR) (3 tracks)
- Single, double and quadruple keys and dead tiles
- Alphanumeric key layout (German, International)

Applications

Retail, banking and finance etc.

Preh Commander® MC 147 (alphanumeric)



High quality and compact alpha keyboard with integrated magnetic stripe reader (MSR)

Special Features

- Programmable key positions
- Dust and splash water resistant keypad
- PS/2-interface
- Menu-driven programmer software
- Compact and ergonomic design
- Adjustable height
- Alphanumeric key layout (German, International)
- Flash-RAM electronics
- Status LEDs
- Integrated MSR (3 tracks)

Options

- Integrated Smart card reader
(PC/SC, ISO 7816, GSM 11.11, HBCI, CT-API, EMV)
- Micro joystick or glidepad
- USB interface
- Single, double and quadruple keys and dead tiles

Applications

Retail, service, banking and finance, gas stations, c-stores administration area etc.

Preh Touch Commander MC 12
Preh Screen Commander MC 12
 multimedia base



Preh Touch Commander MC 12

Touchscreen with integrated power supply and loud speakers

Special Features

- Compact construction
- Flat screen 12,1" TFT with minimum 200 Cd/m²
- Viewing angle minimum 90° horizontal, 50° vertical
- Resolution 800 x 600 pixels (SVGA)
- Analog resistive 5 wire touchscreen technology
- Swivelling and adjustable height housing
- VGA-, power and serial outputs (RS232)
- On Screen Display (OSD)
- Dirt-, grease-, dust- and splash water resistant surface
- Ergonomic, elegant design
- Integrated power supply with power switch
- Color of housing: ivory, (similar RAL 9002) and black
- Adjustment angle 85°

Options

- TFT LCD without touchscreen, with glass protection called Screen Commander (monitor version)

Applications

Restaurants, fast food, hotels, gas stations, retail etc.

Preh Touch Commander MC 15



Preh Touch Commander MC 15

15" touchscreen with integrated power supply, loudspeakers and optional magnetic stripe reader (3 tracks)

Special Features

- Compact design
- Flat screen 15"- TFT with minimum 350 Cd/m²
- Viewing angle minimum 120° horizontal, 100° vertical
- Resolution 1024 x 768 pixels (XGA)
- Analog resistive 5 wire touchscreen technology
- Swivelling and adjustable height housing
- Video, power and serial ports (RS232)
- Dirt-, grease-, dust- and splash water resistant surface
- On Screen Display (OSD)
- Ergonomic, elegant design
- Integrated power supply with power switch
- Color of housing: ivory, (similar RAL 9002)
- Adjustment angle 85°
- Base with integrated speakers

Options

- **Magnetic stripe reader (3 tracks)**

Applications

Medical, retail, cinema, hotels, restaurants, gas stations, etc.

OEM Keyboards



Lottery terminal



Supermarkets



Hospitality



Banking and credit area



Department store



Pharmacy / drug stores

OEM Keyboards



CAD application



Access control and time recording



Gas stations / c-stores



Mobile applications



Preh KeyTec GmbH
An der Stadthalle
D-97616 Bad Neustadt a. d. Saale
Germany
Phone +49 (0) 97 71 92-0
Fax +49 (0) 97 71 92-152
Email info@preh-keytec.de
Web www.preh-keytec.com

Preh Electronics Inc.,
590 Telser Road, Unit B
Lake Zurich, IL 60047
USA
Phone +1 (847) 438 40 00
Fax +1 (847) 438 55 22
Email prehsales@preh.com

Preh France SAS
Eragny Parc - Bât. Californie
BP231 Eragny
95615 Cergy-Pontoise
France
Phone +33 (0) 1 39 09 99 00
Fax +33 (0) 1 39 09 99 09
Email contact@preh.fr



Preh KeyTec GmbH
An der Stadthalle
D-97616 Bad Neustadt a. d. Saale
Germany

Phone +49 (0) 97 71 92-0
Fax +49 (0) 97 71 92-152
Email info@preh-keytec.de

Web www.preh-keytec.com

