

## CostPlus SL3000

The CostPlus range has been carefully selected to meet a broad range of generic requirements. The CostPlus range can be interfaced with a standard PC, terminal or electronic cash register. Cash Bases providing competitive solutions - at the heart of your EPoS.

### DESCRIPTION

The SL3000 is based on the same footprint size as its predecessor, the Layflat [SL2000]. With steel ball bearing runners and a new latching mechanism, the SL3000 has been designed to withstand the most hostile of retail environments.

### FEATURES

- Robust steel construction
- Steel ball bearing runners
- Insert with 4/5 note compartments
- 8 high capacity coin cups
- Removable insert
- Two media posting slots
- 12 or 24 volt interface with microswitch
- Bolt down facility in baseboard
- 3 position key release, with deadlock

### OPTIONS

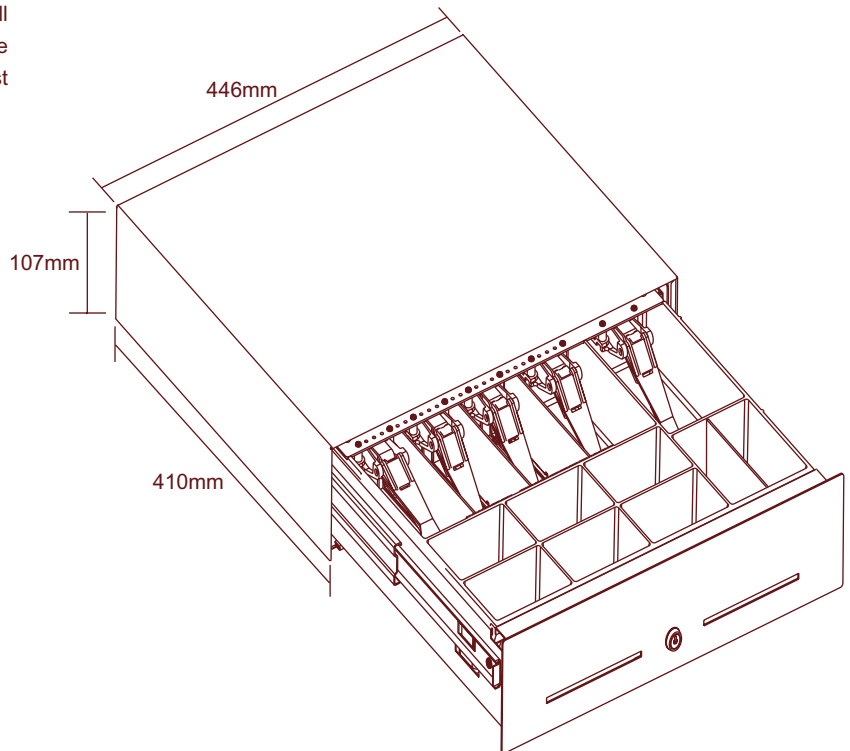
- Alike, random keys or no lock
- Lockable lid for insert
- Choice of colours
- Under Counter Mounting cradle

### SPECIFICATION

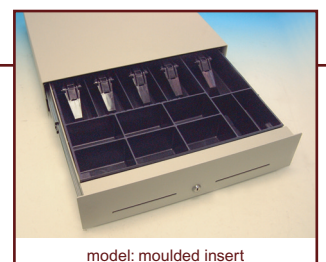
- Width: 446mm
- Depth: 410mm
- Height: 107mm
- Weight: 13kg

### IDEAL FOR

- Any retail environment
- Hospitality



UKCOSTLSL3000-03-1002



Specification may be subject to change without notification

**at the heart of your EPoS**

CASH BASES LTD ■ NEWHAVEN, EAST SUSSEX BN9 0LA ■ UK ■ [www.cashbases.net](http://www.cashbases.net)  
TEL: +44 [0] 1 273 616300 ■ FAX: +44 [0] 1 273 512010 ■ EMAIL: [sales@cashbases.co.uk](mailto:sales@cashbases.co.uk)