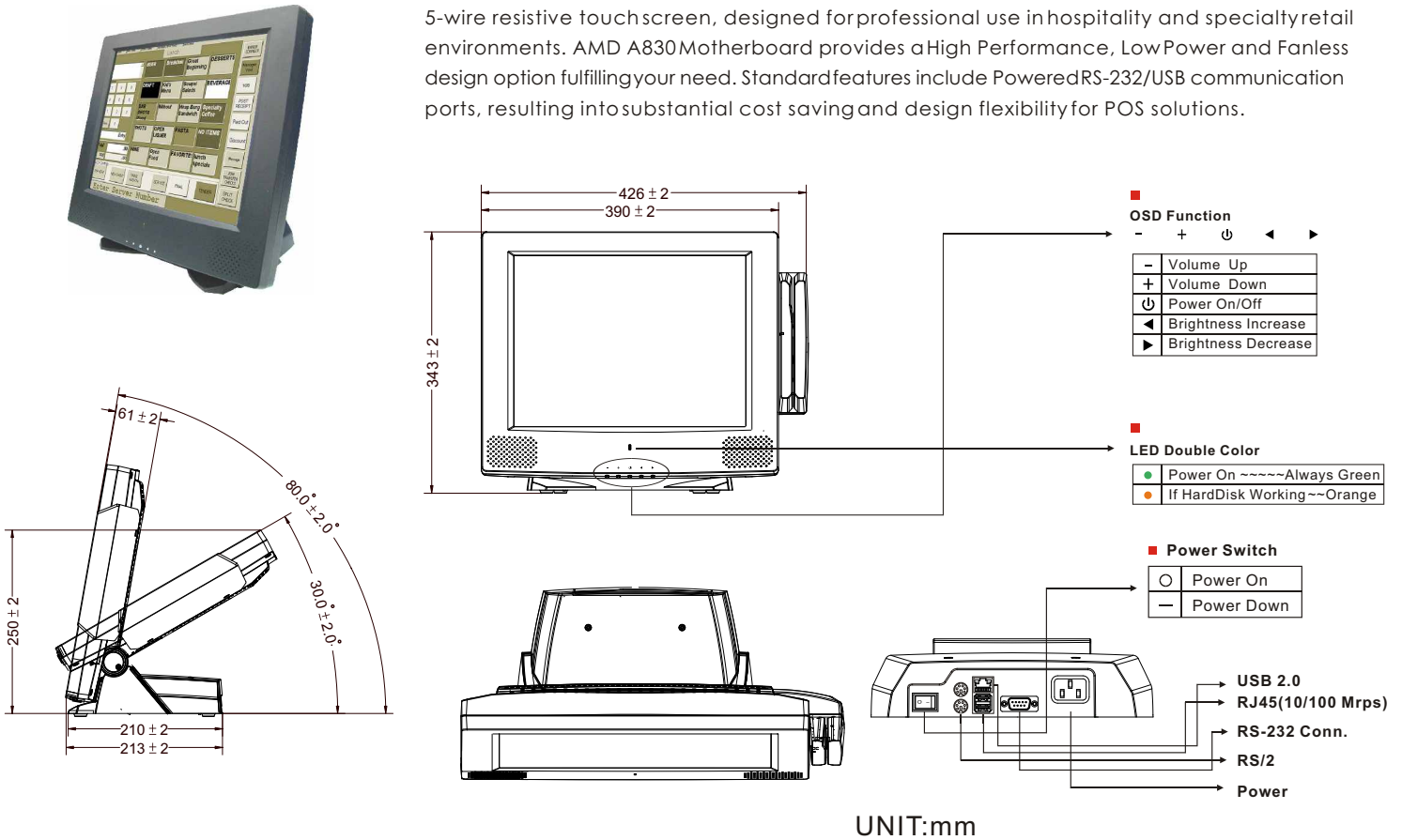


15" POS PC 2200

MODEL NO: R15A83S-POS

Mechanical Design

The POS PC 2200 is an AMD A830 platform POS PC with a 15" TFTLCD screen and integrated 5-wire resistive touchscreen, designed for professional use in hospitality and specialty retail environments. AMD A830 Motherboard provides a High Performance, Low Power and Fanless design option fulfilling your need. Standard features include Powered RS-232/USB communication ports, resulting into substantial cost saving and design flexibility for POS solutions.



System Specifications

TFT Characteristics :

- LCD : 15"CD Display with Spill Proof
- Touch Screen : ELO Resistive
- Resolutions : 1024 x 768
- Brightness : 250 cd / m²(typ.)
- Contrast Ratio : 500 : 1(typ.)

Output Connectors :

- Ethernet LAN : 1 x RJ-45 (10/100 Mbps)
- Keyboard / Mouse : 2 x PS/2
- Serial Ports : 1 x RS232 9P SDUB (male)
- USB Interface : 2 x USB 2.0 Ports
- Power Interface : AC-IN Power Receptacle

System Specification :

- Processor : AMD Geode LX-800 500MHz Processor
- BIOS : 4 Mbit Award BIOS
- System Chipset : AMD CS5536
- System Memory : 1 x SODIMM, Max. 1GB DDR400
- Audio Interface : AC" 7 Audio Codec (Speaker 2 x 2W)
- Ethernet : 1 x 10/100 Base-T
- Card Reader : Standard Track 1-2-3(POS-MSR 1-2-3) (Optional)
- Stand : Tilting angle 30 deg.C to 80 deg.C
Countertop Stand
- OS Support : Windows XP, Windows XP Embedded

Power & Environment Specifications :

- Power Input : 110V ~ 240V AC IN
- Power Consumption : 60W (typ.)
- Operating Temperature : 0 deg.C to 50 deg.C
- Operating Humidity : 5% ~ 95% (non-condensing)
- EMI / Safety : FCC, CE

